

THERMOSTATS & CONTROLLERS

NEMA 4X INDUSTRIAL CONTROL THERMOSTATS

TF115, TH109, AND TRF115 SERIES

DESCRIPTION

The Peco TF115-023, TH109-009, TRF115-005, and TRF115-007 industrial control thermostats offer reliable control in industrial, agricultural, and commercial applications. The TH109-009 has 40-100°F range with a molded plastic enclosure and stainless steel hardware. The TF115-023 has a low mass, high surface area stainless steel coiled sensor which provides rapid temperature response. Both the TRF115-005 and TRF115-007 both have remote bulbs with capillary tubes. All of these thermostats come with SPDT switches and are NEMA 4X, UL listed, and are suitable for use under NEC article 547.

FEATURES

- Good for both heating and cooling
- Rugged, weather resistant NEMA 4X enclosure
- Tolerates moist conditions
- One SPDT switch on T115 models
- Two SPDT switches on TH109 models

RATINGS

Voltage Rating	FLA	LR	Non-Inductive	Pilot Duty
120 VAC	16.0 VA	80.0 A	25.0 A	125 VA
208 VAC	13.2 VA	66.0 A	25.0 A	125 VA
240 VAC	12.0 VA	60.0 A	25.0 A	125 VA
277 VAC	10.0 VA	50.0 A	22.0 A	125 VA

NEW!



TH109-009



TF115



TRF115-005



ORDERING INFORMATION AND SPECIFICATIONS

Model Number	Temperature Range	Differential	Switch Action	Bulb	Enclosure Rating	Warranty	Dimensions	Weight, Standard	Approvals
TF115-001	40° to 110°F (4° to 43°C)	Fixed 3°F (-16°C)	Single pole/Double throw (SPDT)	Coiled Air-Stainless Steel	NEMA 4X	2 Years	3.1"W x 6.5"H x 2.5"D (7.9 x 16.5 x 6.4 cm)	2.1 lb (.49 Kg)	UL, CSA
TF115-023	-30° to 100°F (-34° to 38°C)	Fixed 6°F (-14°C)	Single pole/Double throw (SPDT)	Coiled Air-Stainless Steel	NEMA 4X	3 Years	3.1"W x 6.5"H x 2.5"D (7.9 x 16.5 x 6.4 cm)	2.1 lb (0.49 Kg)	UL, CSA
TRF115-005	0° to 120°F (-17° to 49°C)	Fixed 3°F (-16°C)	Single pole/Double throw (SPDT)	5 foot Stainless Remote	NEMA 4X	4 Years	3.1"W x 6.5"H x 2.5"D (7.9 x 16.5 x 6.4 cm)	2.1 lb (0.49 Kg)	UL, CSA
TRF115-007	-30° to 100°F (-34° to 38°C)	Fixed 6°F (-14°C)	Single pole/Double throw (SPDT)	8 foot Copper Remote	NEMA 4X	5 Years	3.1"W x 6.5"H x 2.5"D (7.9 x 16.5 x 6.4 cm)	2.1 lb (0.49 Kg)	UL, CSA
TH109-009	40° to 100°F (4° to 38°C)	3°F (-16°C)/ Stage	2-Single pole/Double throw (SPDT)	Coiled Air-Stainless Steel	NEMA 4X	6 Years	3.5"W x 7.3"H x 4.9"D (8.9 x 18.5 x 12.4 cm)	2.1 lb (0.49 Kg)	UL, CSA

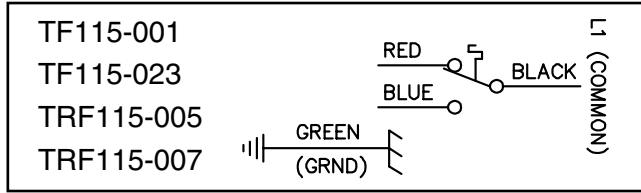
THERMOSTATS & CONTROLLERS



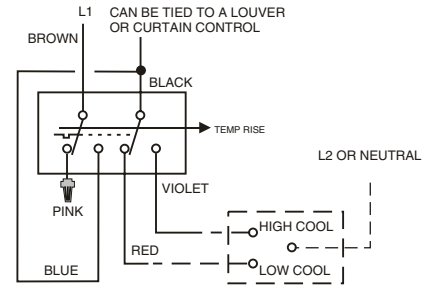
NEMA 4X INDUSTRIAL CONTROL THERMOSTATS TF115, TH109, AND TRF115 SERIES

WIRING

Wiring Connections

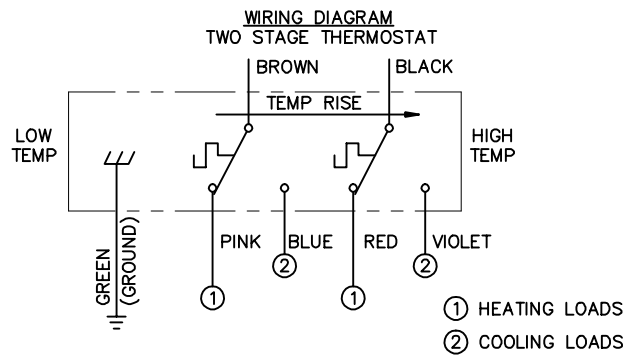


Two Speed Cooling

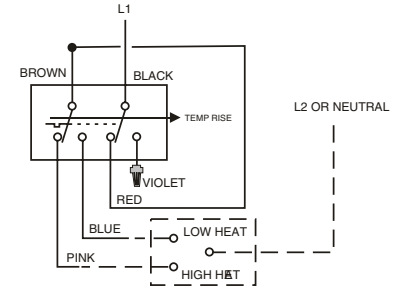


TH109-009

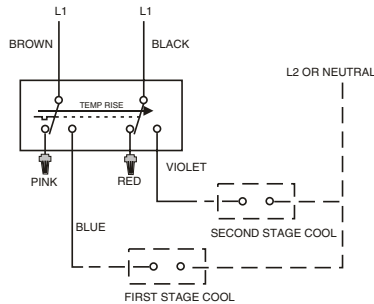
Double pole, double throw contacts operate sequentially with 3°F (1.7°C) nominal separation on temperature rise or fall.



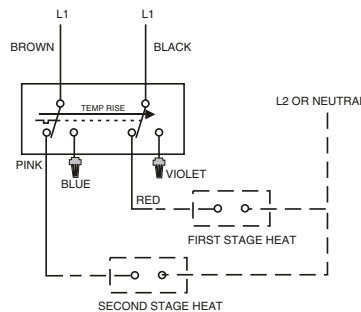
Two Speed Heating



Two Stage Cooling



Two Stage Heating



Auto Changeover Control 1 Heat/1 Cool with 3°F dead band

